



Electric

16 tmE

ORMIG S.p.A.

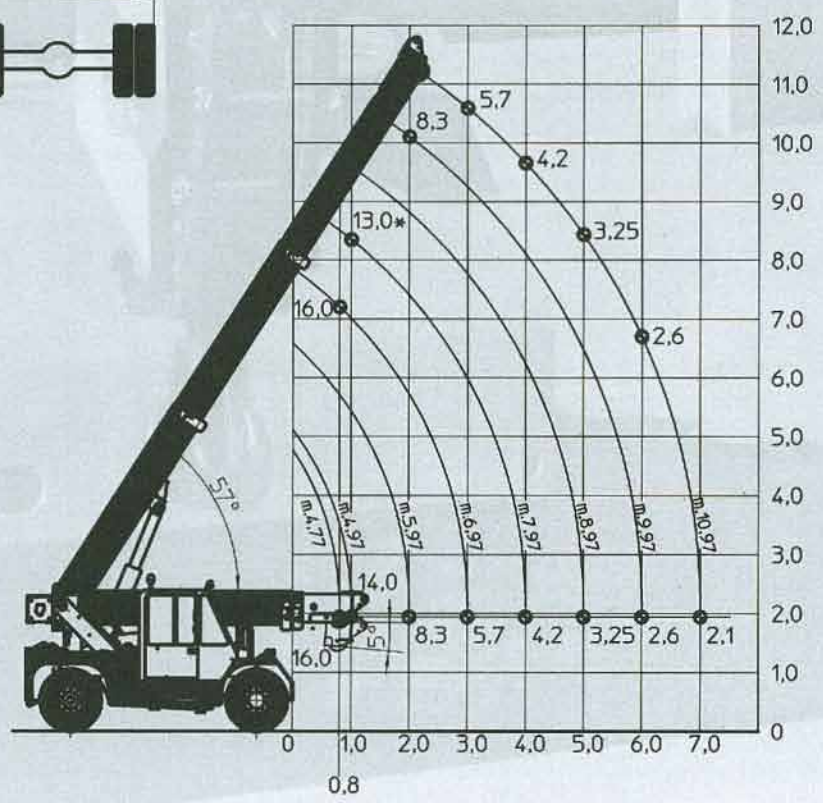
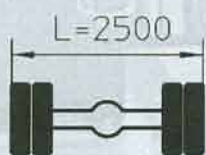
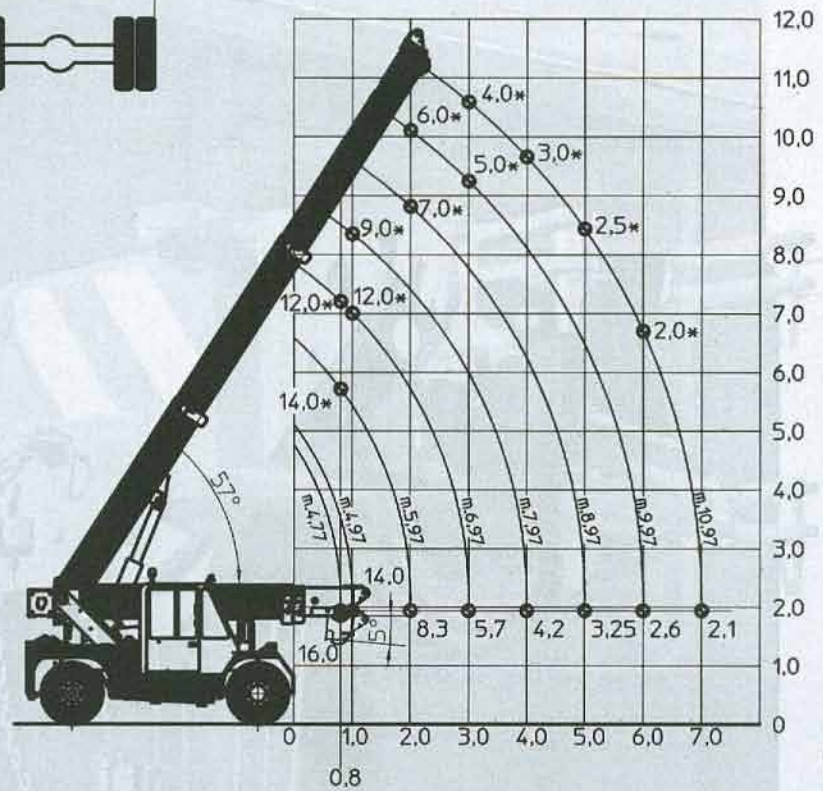
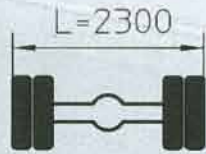
TEL. (+39) 0143 80051 r.a.
TELEFAX (+39) 0143 86568
E-mail: mktg@ormigspa.com
E-mail: sales@ormigspa.com
www.ormig.com - www.pickandcarry.com

ORMIG S.p.A.
PIAZZALE ORMIG
P.O. BOX 63
15076 OVADA (AL)
ITALY

TECHNICAL FEATURES

Carrier:	4x2x2
Frame:	Structure from high quality steel, with pipes at rectangular section, connected in the front and rear part to the front axle and to the upper structure.
Power :	Electric, by means of accumulators at 96 V, 890 Ah capacity, positioned on the crane.
Motor:	Electric motor for driving at continuous current, separated excitation, 36 kW power, max. torque distribution 600 Nm, operating control by electronic unit; electric motor for the hydraulic system and for services at continuous current, on line excitation power 26 kW, operating control by electronic unit.
Speed gearbox:	Mechanic gearbox at two speeds which can be engaged from stopped conditions. Max speed 12 Km/h.
Axles:	Front rigid driving axle. Rear steering axle with central oscillation.
Tyres:	10.00 R20, double tyres at front axle and single tyre at rear axle.
Steering:	Hydraulic steering with hydraulic drive DANFOSS.
Brakes:	In compliance with EEC regulations. Hydraulic service and emergency brake at front and rear wheels. Mechanic parking brake, spring type, at front wheels, with hydraulic unlock control.
Driving place:	Dashboard complete with all controls and indicators, ergonomic seat and protections for the driver.
Electric system:	96 V (48 accumulator elements), 890 Ah capacity. 24 V lighting system and auxiliary services by means of potential divider 96/24 V and starting accumulators on parallel.
Boom:	Fabricated from plate at high strength. It is formed by a fix base and two extensions at oleodynamic extraction by means of double acting cylinders. Fix hook at boom head.
Hydraulic system:	One axial pistons pump at variable delivery; compensated hydraulic proportional distributor with calibration valves; hydraulic keysenders. Oil tank capacity 160 litres.
Electronic unit:	Two separated electronic stations, one for each electric motor, in interface position. MOSFET transistor technology and starting self-diagnostic check and operations survey for prompt indications on the dash-board of eventual problems. Should the breakdown be of danger for the operator, the corresponding motion is cut out. Each electronic station keeps in storage all eventual failures occurred during the complete crane life.
Power unit:	Formed by the battery charge unit on the crane with possibility of power supply from external source (fix system).
Safe load device:	Electronic, active type, providing cut out of the controls which can cause dangerous conditions and in compliance with regulations in force.
Road certification:	The crane can be certified for travelling on road.
Weight:	Total weight 14400 Kg Front axle 5300 Kg Rear axle 9100 Kg
Equipment on request:	<ul style="list-style-type: none">• Closed cab with heater• Winch with rope, hookblock and end of stroke• Hydraulic and mechanic special flyjibs• Forks• Additional counterweight

Lifting capacity chart (tonnes)
Hublasttabelle (tonnen)

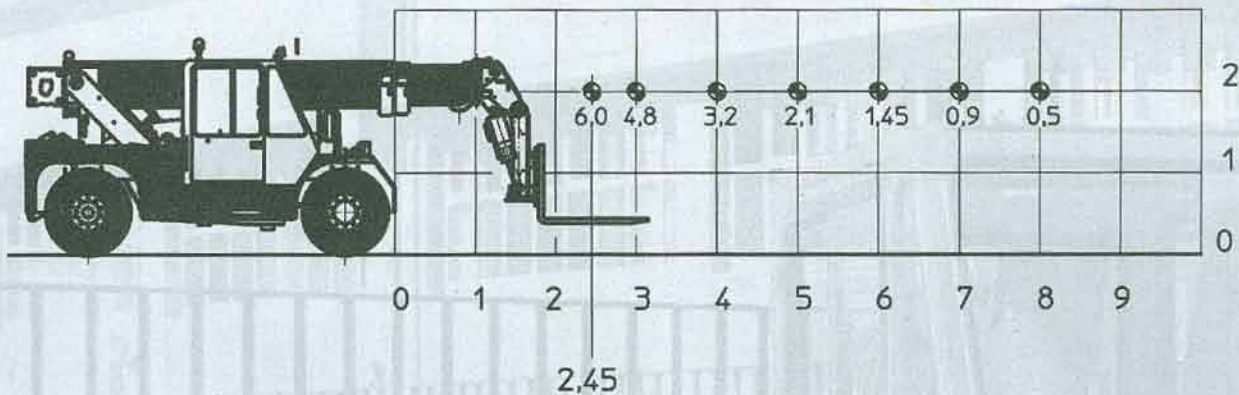
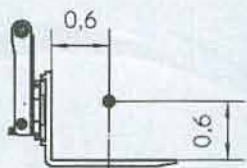


* Portate determinate da fattori diversi dal ribaltamento

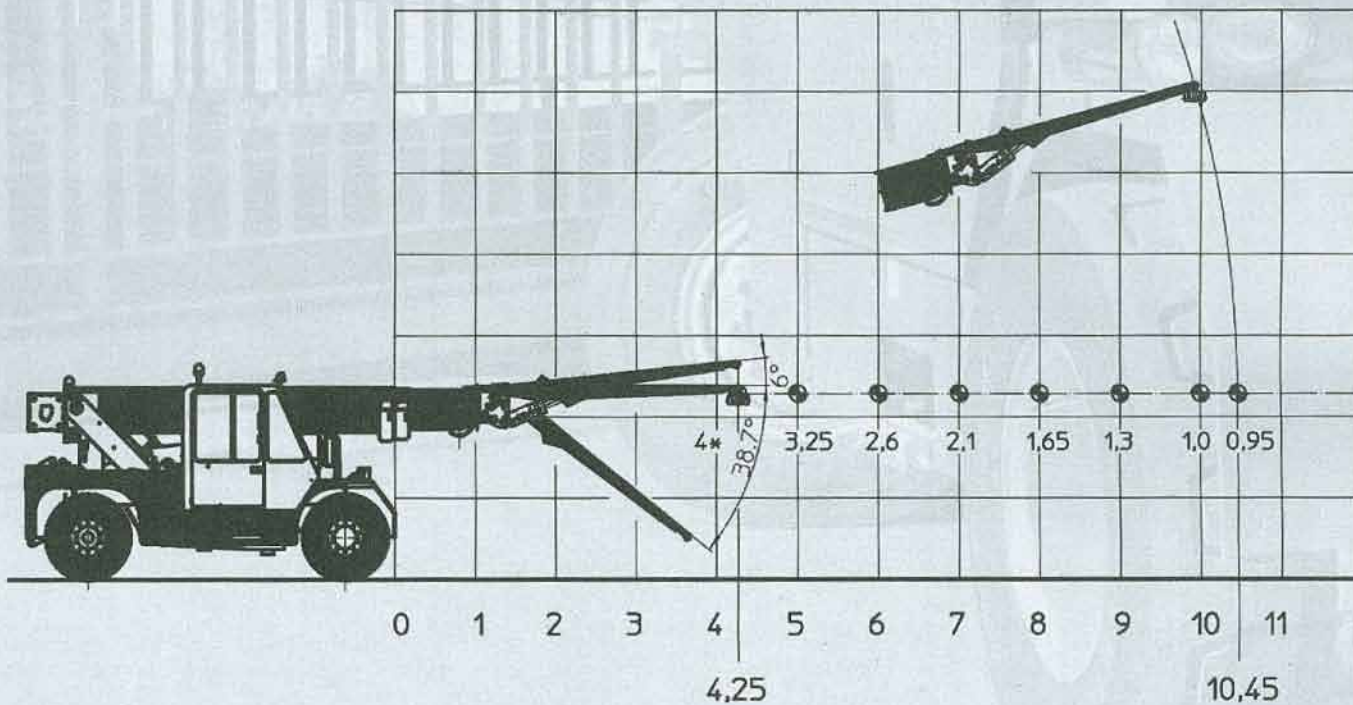
* Capacities determined by factors other than tipping load

* Das Kippmoment wird auch noch von anderen Faktoren als von der zu hebenden Last bestimmt

Lifting capacity chart with forks (tonnes)
 Traglasten mit Gabeln (tonnen)



Lifting capacity chart with fly-jib (tonnes)
 Traglasten mit hydraulischspitze (tonnen)



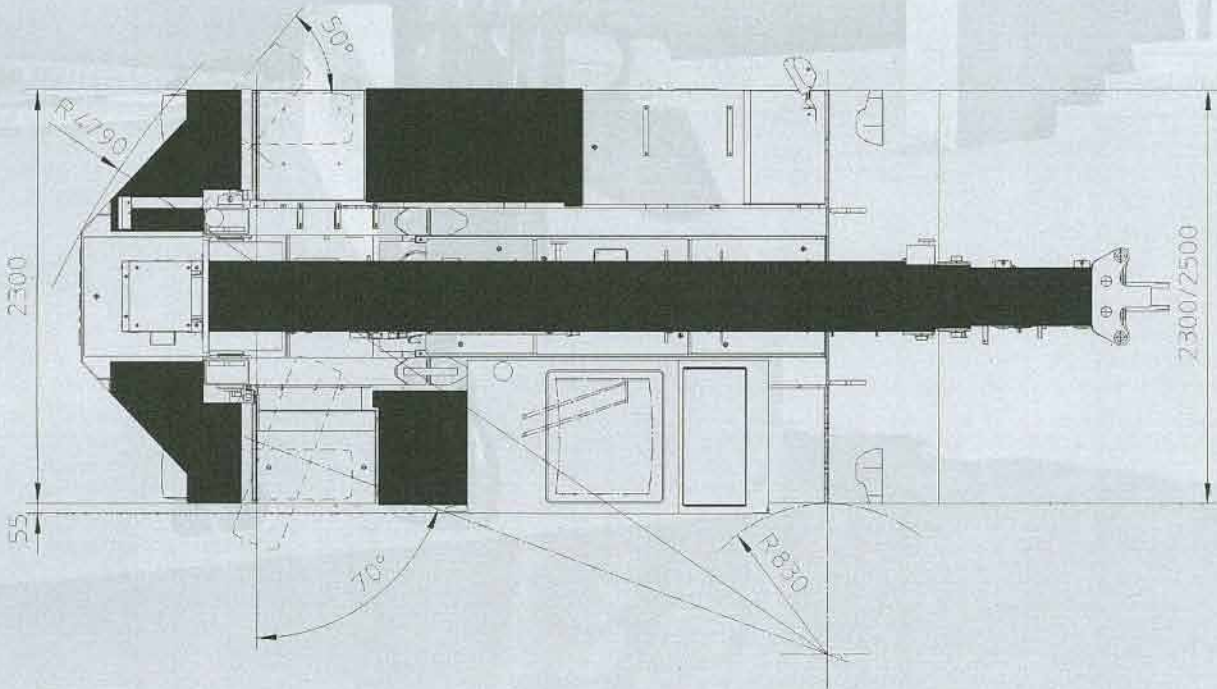
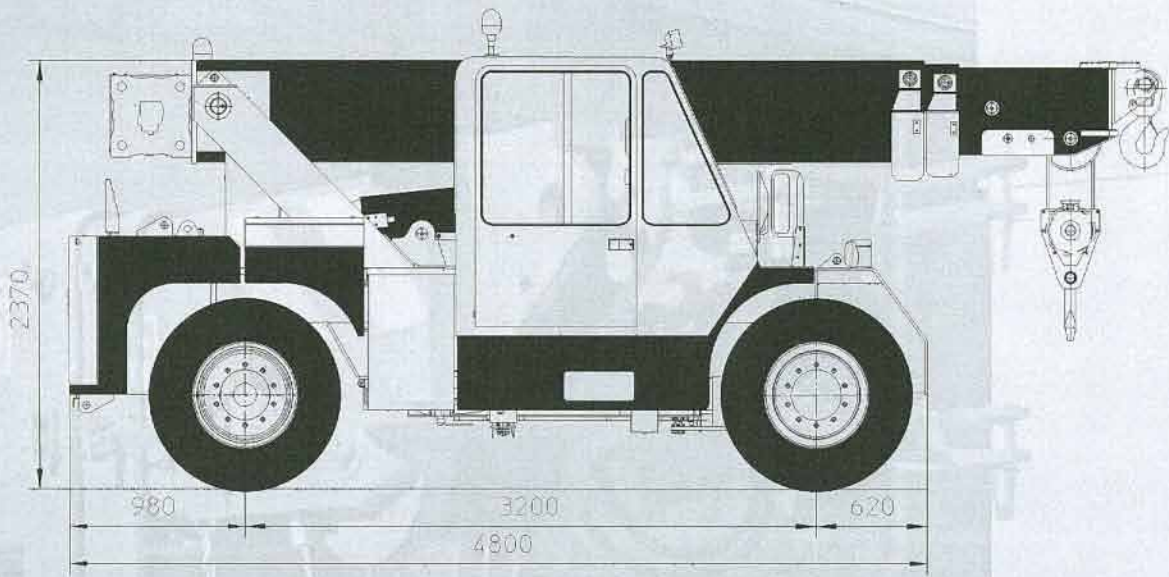
* Portate determinate da fattori diversi dal ribaltamento

* Capacities determined by factors other than tipping load

* Das Kippmoment wird auch noch von anderen Faktoren als von der zu hebenden Last bestimmt

Dimensioni Generali

General Dimensions
Hauptabmessungen





TEL. (+39) 0143 80051 r.a.
TELEFAX (+39) 0143 86568
E-mail: mktg@ormigspa.com
E-mail: sales@ormigspa.com
www.ormig.com - www.pickandcarry.com

ORMIG S.p.A.
PIAZZALE ORMIG
P.O. BOX 63
15076 OVADA (AL)
ITALY

